



A JBL INSTALLATION

Calvary Assembly of God Church Winter Park, Florida

The new sanctuary of Calvary Assembly of God Church in Winter Park, Florida, is an excellent example of architecture for contemporary worship. Seating capacity is 5000, and the choir platform accommodates 300. A full size orchestra pit in front of the main platform and a jutting proscenium make possible a wide variety of religious presentations and pageants.

Ancha Electronics, Incorporated, of Tampa, Florida, was responsible for the installation of the extensive sound system for the church. The sanctuary reinforcement system consists of three channels located in the proscenium, speaking outward through acoustically transparent openings. Details of the center and right channels are shown. The left channel is

the mirror image of the right channel. Each channel is of three-way design and tri-amplified.

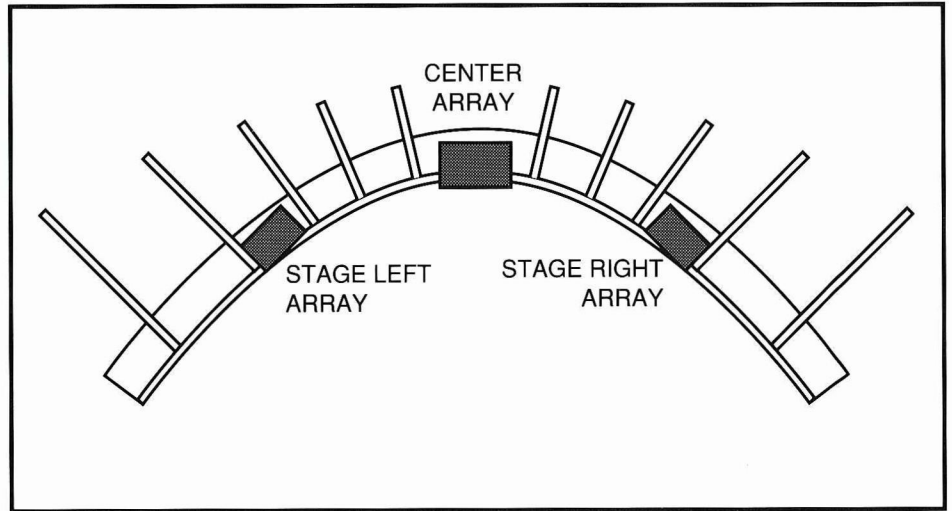
In each array, the JBL 2202J low frequency drivers were mounted in custom enclosures so that they could be easily positioned in a vertical arc for proper front-back coverage. The space around each array was sealed from the back of the proscenium and damped to minimize reflections. Within each array are horns providing near, mid, and far throw coverage.

The under-balcony space is covered by 176 JBL Model 8110HT loudspeakers.

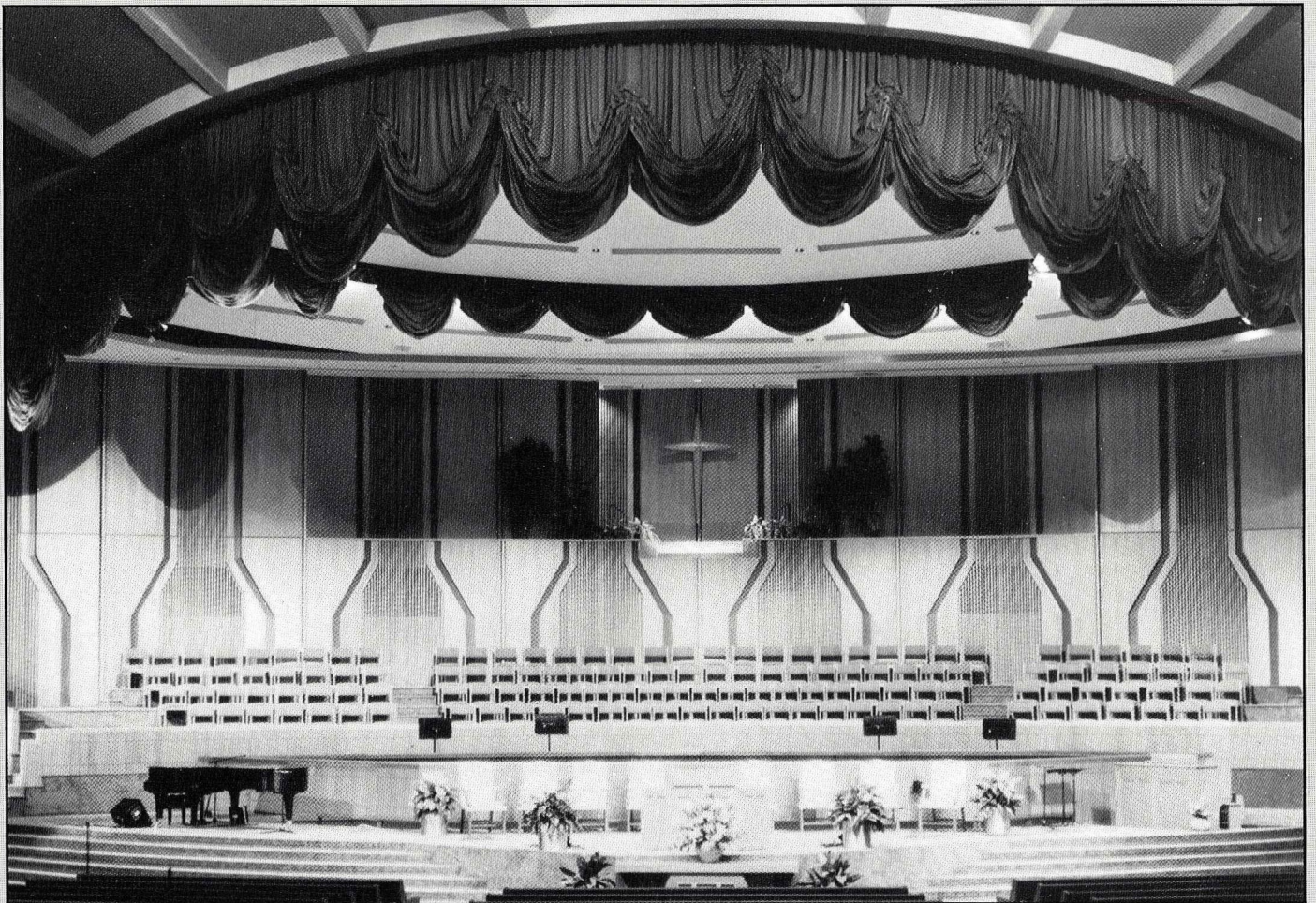


Pastor Alex Clattenburg has expressed his satisfaction with the installation, stating that it contributes to the overall statement that Calvary is a special facility for a special time in the spiritual growth of the country.

In addition to the sanctuary, the new building includes a chapel, rehearsal/choral room, classroom, and a prayer room, all with audio facilities. A complete intercommunication capability between all technical areas within the sanctuary complex is provided. This integrated, convenient contact system has proven to be an excellent operations management asset. The entire Calvary complex is surrounded by attractive, inviting landscaping, and an outdoor mall connects the new sanctuary with the old church.



Reflected view of proscenium ceiling showing stereophonic loudspeaker array locations



JBL EQUIPMENT IN THE CALVARY INSTALLATION:

► **Sanctuary Center Array:**

- 2 4518 enclosures
- 2 2245H low frequency transducers
- 6 2202J mid frequency transducers (in custom enclosures)
- 6 2365 Bi-Radial™ horns
- 6 2445J high frequency drivers

► **Sanctuary Right Array:**

- 2 4518 enclosures
- 2 2245H low frequency transducers
- 6 2202J mid frequency transducers (in custom enclosures)
- 3 2360 Bi-Radial horns
- 3 2445J high frequency drivers

► **Sanctuary Left Array:**

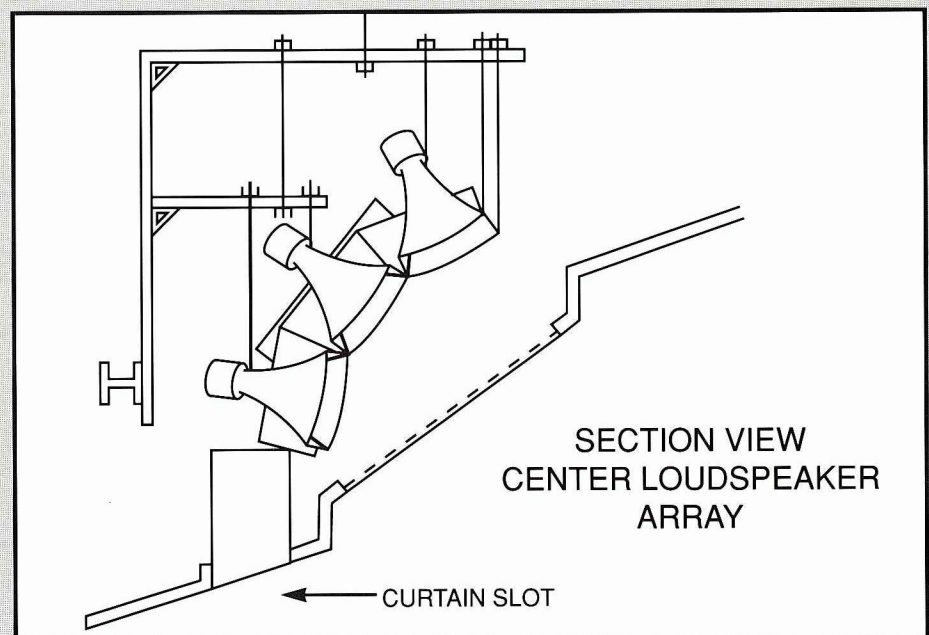
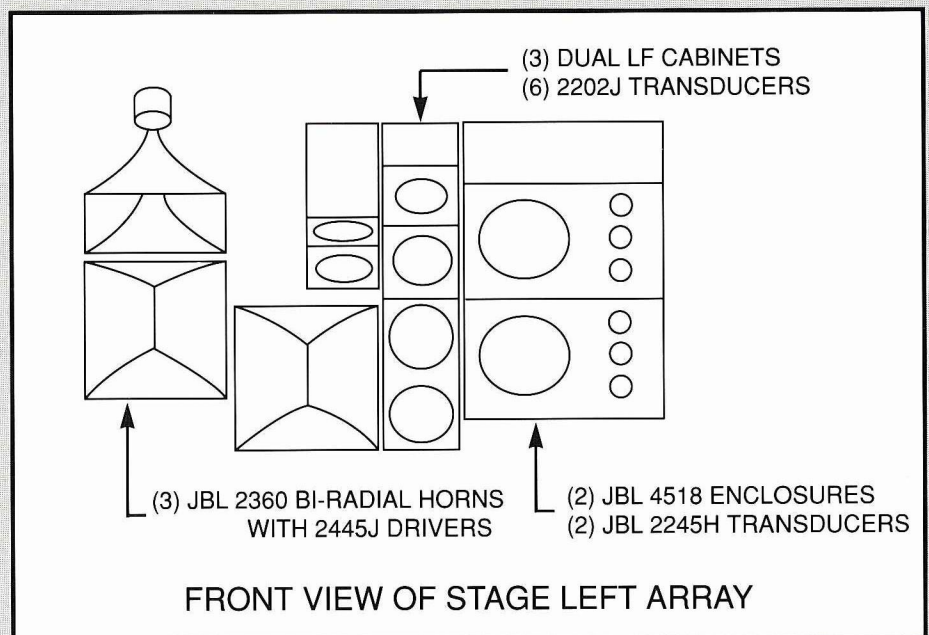
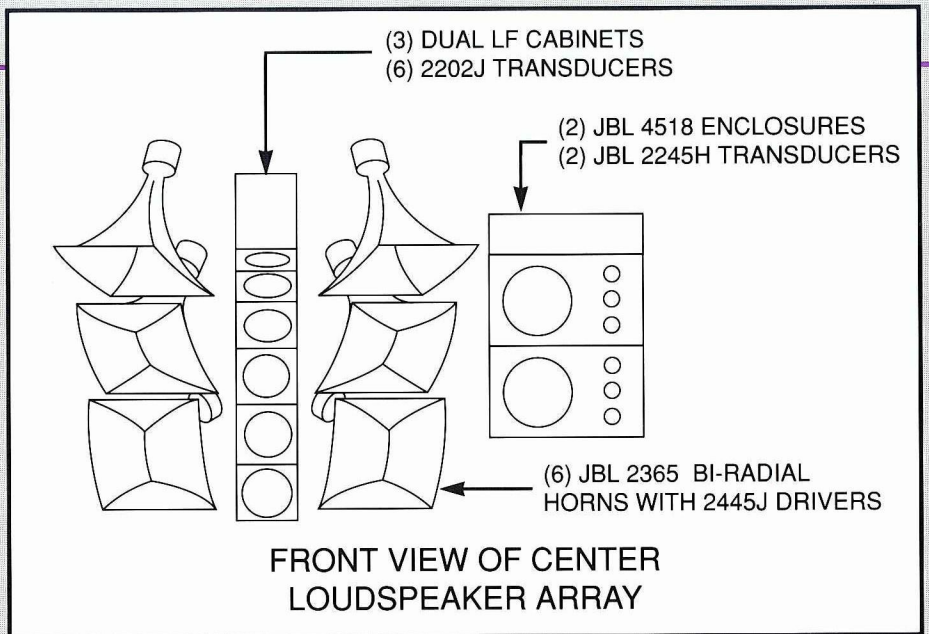
- 2 4518 enclosures
- 2 2245H low frequency transducers
- 6 2202J mid frequency transducers (in custom enclosures)
- 3 2360 Bi-Radial horns
- 3 2445J high frequency drivers

► **Under Balcony System:**

- 176 8110HT transducers

► **Electronics:**

- 21 JBL/UREI Model 5549A equalizers
- 12 UREI Model LA-4 compressor/limiters
- 1 Soundcraft 800-40 mixer (stage monitoring)



CREDITS:

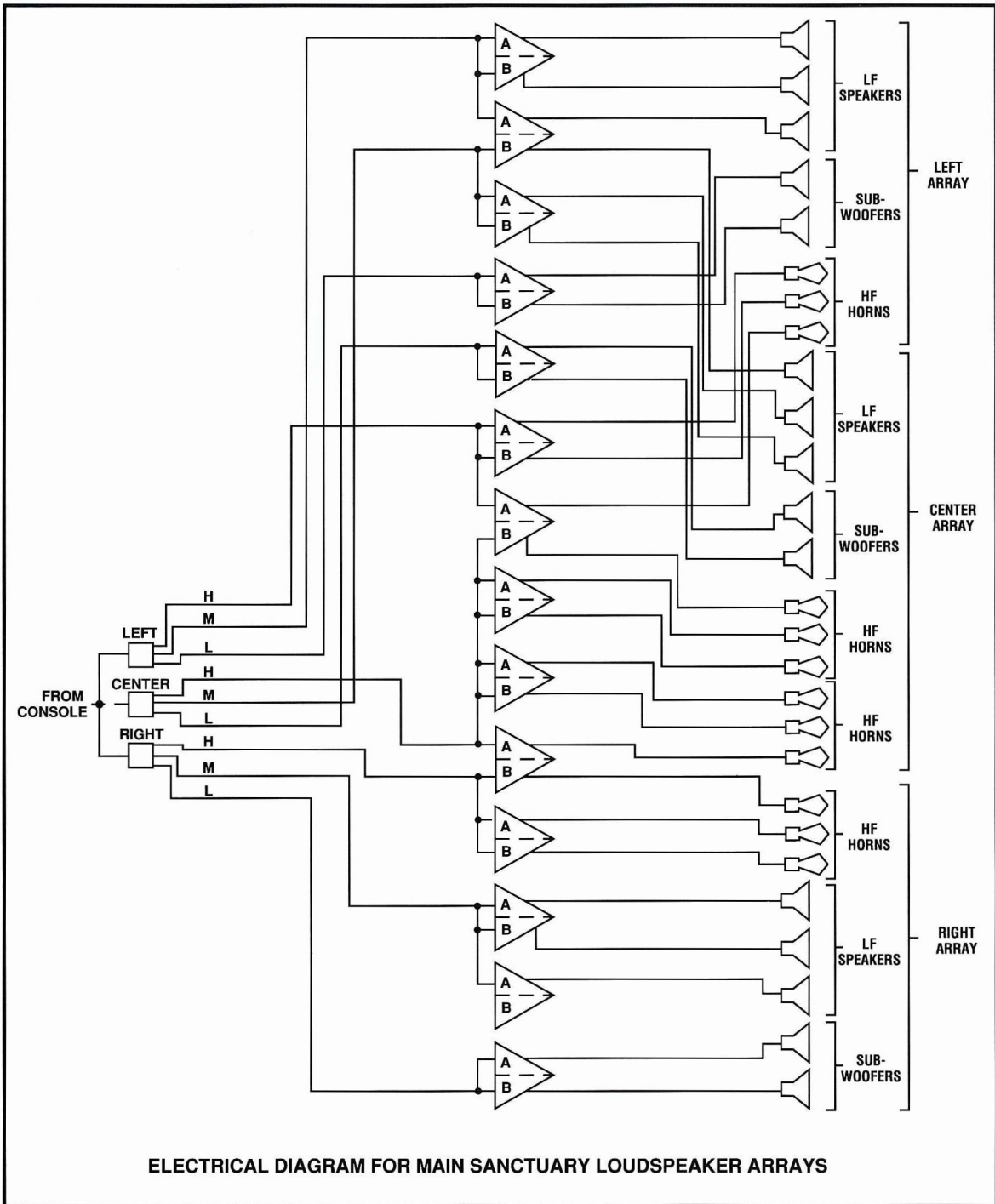
Pastor Alex Clattenburg,
Calvary Assembly of God Church

Architect:
Schweizer Associates, Orlando, Florida

Contractor:
H.J. High Company, Orlando, Florida

Acoustical Consultant and
Sound System Design:
Klepper Marshall King Associates, Ltd.,
White Plains, New York

Sound System Project Management:
Ancha Electronics, Incorporated,
Tampa, Florida, Al Carlson, Manager



JBL Incorporated
 8500 Balboa Boulevard
 Northridge, California 91329, USA